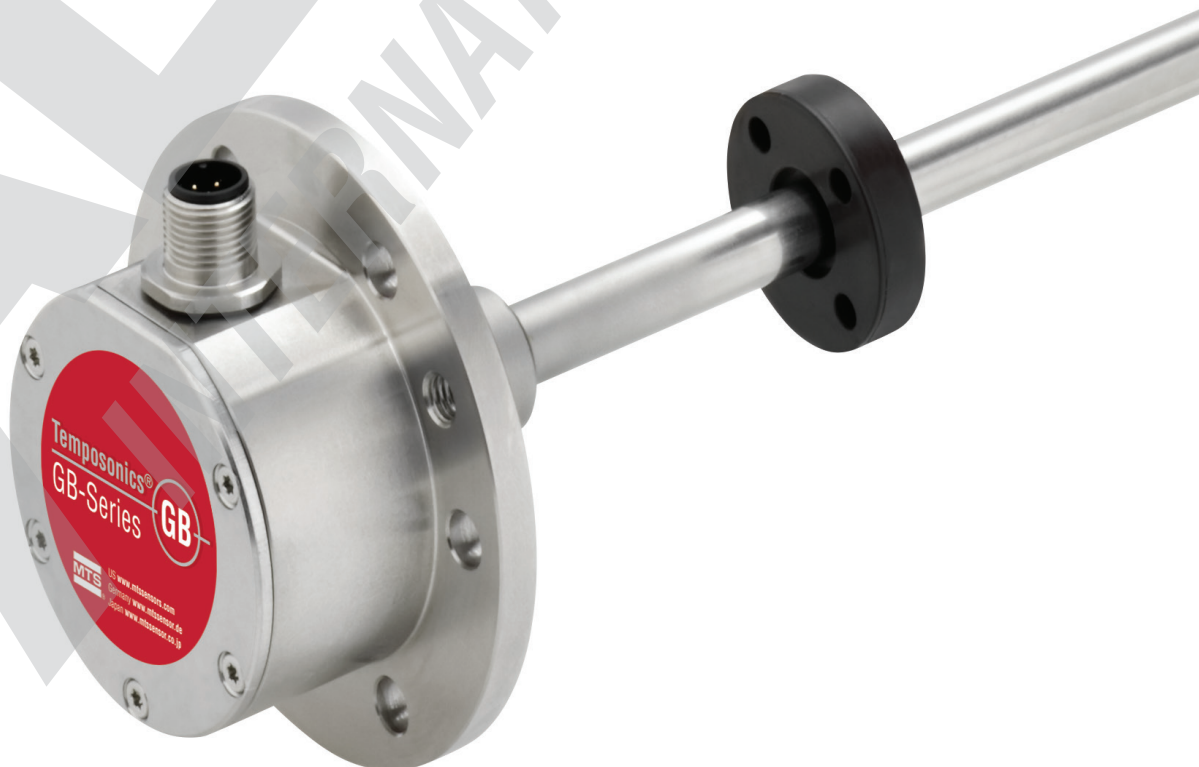


Temposonics®

Magnetostrictive Linear Position Sensors

GB Analog Data Sheet

- High pressure resistant sensor rod
- High operating temperature up to +100 °C (+212 °F)
- Flat & compact – ideal for the valve market



MEASURING TECHNOLOGY

For position measurement, the absolute, linear Temposonics® position sensors make use of the properties offered by the specially designed magnetostrictive waveguide. Inside the sensor a torsional strain pulse is induced in the waveguide by momentary interaction of two magnetic fields. The interaction between these two magnetic fields produces a strain pulse, which is detected by the converter at the sensor electronics housing. One field is produced by a moving position magnet, which travels along the sensor rod with the waveguide inside. The other field is generated by a current pulse applied to the waveguide. The position of the moving magnet is determined precisely by measuring the time-of-flight between the application of the current pulse and the arrival of the strain pulse at the sensor electronics housing. The result is a reliable position measurement with high accuracy and repeatability.

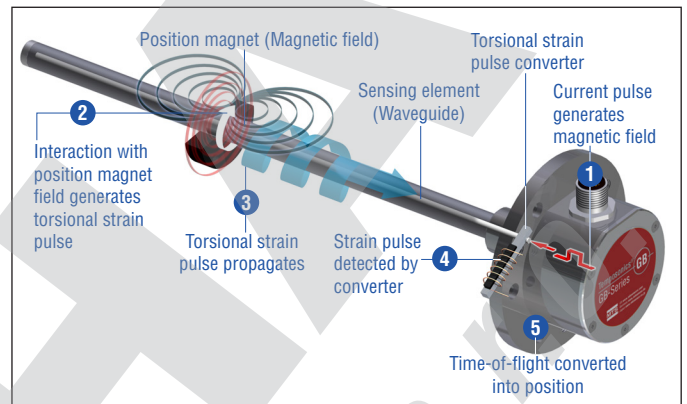


Fig. 1: Time-based magnetostrictive position sensing principle

GB SENSOR

Robust, non-contact and wear free, the Temposonics® linear position sensors provide best durability and accurate position measurement solutions in harsh industrial environments. The position measurement accuracy is tightly controlled by the quality of the waveguide which is manufactured by MTS Sensors. The position magnet is mounted on the moving machine part and travels non-contact over the sensor rod with the built-in waveguide.

Temposonics® GB is a rod-style sensor for installation into hydraulic cylinders, e.g. in power engineering. With its flat and compact sensor housing and side-mounted signal connection, the sensor is ideal for small spaces. Due to the pressure-resistant sensor rod and its high operating temperature the Temposonics® GB sensor is perfectly suitable for use in fluid technology. For improved signal quality the sensor automatically adapts to the strength of the magnet used in the application.

The set points, start and end position of the measurement, can be modified after installation of the Temposonics® GB sensor. Programming can be carried out using the standard connection cable. Optionally the sensor offers Bluetooth® 1 connectivity for programming. In the case of Bluetooth® connectivity, set points can be modified even when the sensor is no longer accessible. The maximum range between sensor and receiver is 5 m (16 ft). With this option it is still possible to program the sensor via the cable connection.



Fig. 2: Bluetooth wireless technology

1/ The Bluetooth® word mark and logos are registered trademarks owned by Bluetooth SIG, Inc. and any use of such marks by MTS Sensor Technology is under license. Other trademarks and trade names are those of their respective owners.

Fig. 2: Montage of MTS Sensors and © Tsiumpa - Fotolia.com
For iOS operating system available in the future.

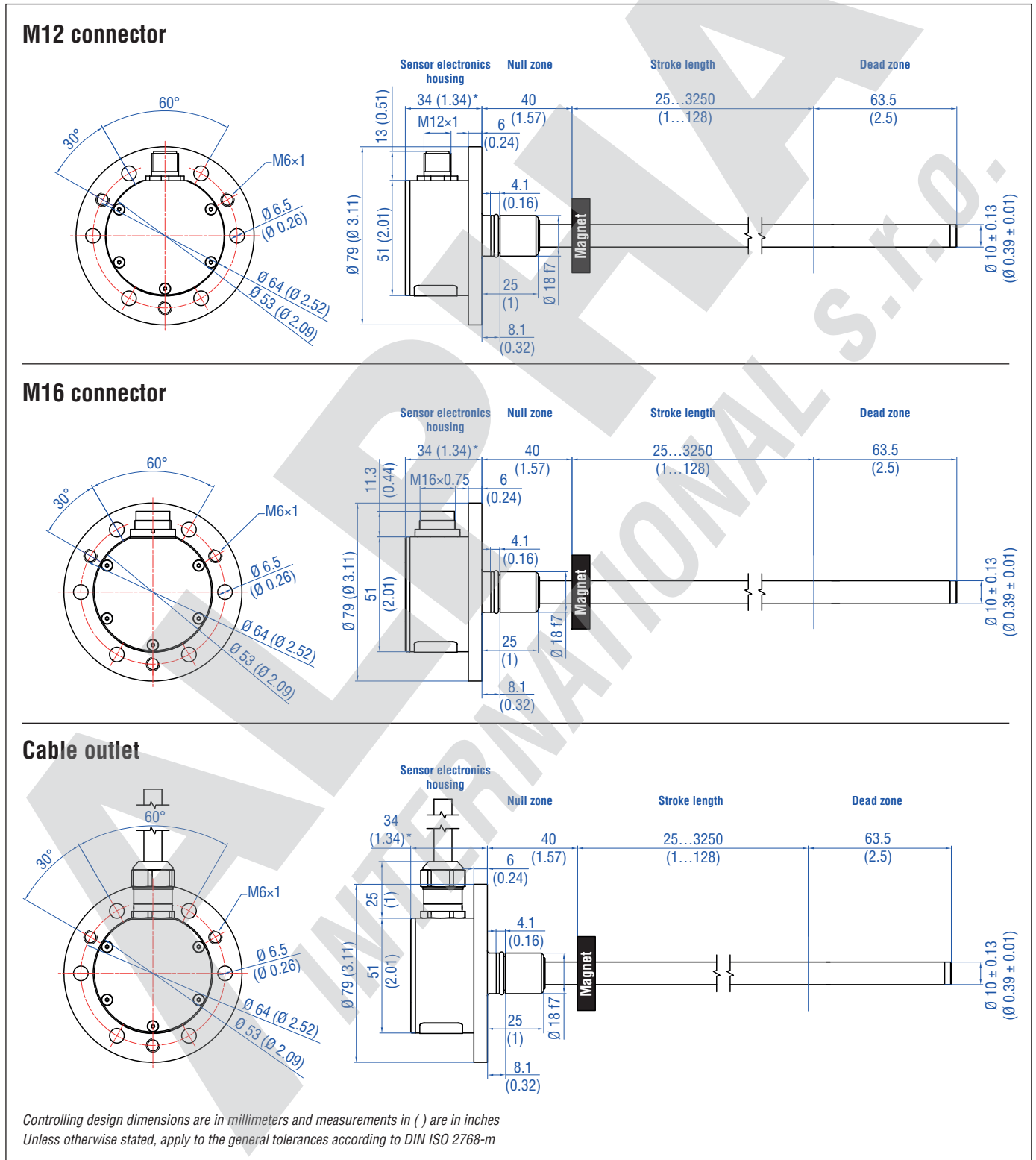
TECHNICAL DATA

Output	
Voltage	0...10 VDC and 10...0 VDC (min. load controller: > 5 kΩ)
Current	4(0)...20 mA or 20...4(0) mA (min./max. load: 0/500 Ω)
Programming	Programming of set points using optional accessories ²
Bluetooth® version	2.1
Measured value	Position
Measurement parameters	
Resolution	16 bit (minimum 1 μm depending on stroke length)
Cycle time	Up to 1200 mm: 0.5 ms Up to 2400 mm: 1.0 ms > 2400 mm: 2.0 ms
Linearity	typ. ≤ ±0.02 % F.S. (minimum ±60 μm)
Repeatability	typ. ≤ ±0.005 % F.S. (minimum ±20 μm)
Operating conditions	
Operating temperature	−40...+90 °C (−40...+194 °F), option −40...+100 °C (−40...+212 °F)
Ingress protection	IP67 with proper mating connector IP68 for cable outlet
Shock test	100 g (single shock) / IEC standard 60068-2-27
Vibration test	15 g / 10...2000 Hz, IEC standard 60068-2-6 (resonance frequencies excluded)
EMC test	Electromagnetic emission according to EN 61000-6-4 Electromagnetic immunity according to EN 61000-6-2 The sensor meets the requirements of the EC directives and is marked with CE
Magnet movement velocity	Any
Design/Material	
Sensor electronics housing ³	Stainless steel 1.4305 (AISI 303), option: stainless steel 1.4404 (AISI 316L)
Sensor rod	Stainless steel 1.4306; 1.4307 (AISI 304L), option: stainless steel 1.4404 (AISI 316L)
Stroke length	25...3250 mm (1...128 in.)
Operating pressure	350 bar, 700 bar peak (at 10 × 1 min)
Mechanical mounting	
Mounting position	Any
Mounting instruction	Please consult the technical drawings and the operation manual (document number: 551511)
Electrical connection	
Connection type	Cable outlet 5 pin M12 connector A-coded 6 pin M16 connector
Operating voltage	+24 VDC (−15 / +20 %)
Ripple	≤ 0.28 Vpp
Current consumption	100 mA typically dependent on stroke length
Dielectric strength	500 VDC (DC ground to machine ground)
Polarity protection	Up to −30 VDC
Overvoltage protection	Up to 36 VDC

² / Programming via Bluetooth wireless technology is disabled from operating temperature typically > +55 °C (+131 °F)

³ / For option **H** (−40...+100 °C / −40...+212 °F) and option **W** (programming via Bluetooth wireless technology) an aluminum cover plate is used


TECHNICAL DRAWING




* / 34.5 mm (1.36 in.) for sensors with Bluetooth wireless technology (option **W**)

CONNECTOR WIRING

M12 connector

D34	Pin	Voltage	Current
	1	+24 VDC (-15 / +20 %)	+24 VDC (-15 / +20 %)
	2	0...10 VDC	4(0)...20 mA or 20... 4(0) mA
	3	DC Ground (0 V)	DC Ground (0 V)
	4	10...0 VDC	n.c. ⁴
	5	DC Ground	DC Ground

M16 connector

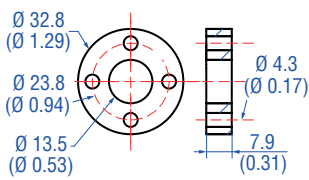
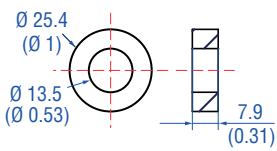
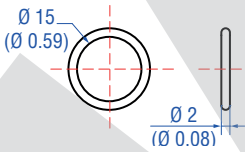
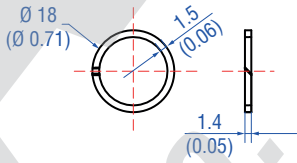
D60	Pin	Voltage	Current
	1	0...10 VDC	4(0)...20 mA or 20... 4(0) mA
	2	DC Ground	DC Ground
	3	10...0 VDC	n.c. ⁴
	4	DC Ground	DC Ground
	5	+24 VDC (-15 / +20 %)	+24 VDC (-15 / +20 %)
	6	DC Ground (0 V)	DC Ground (0 V)

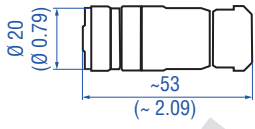
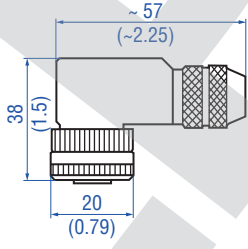
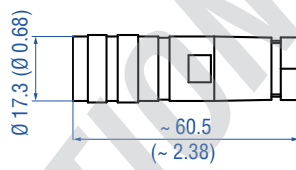
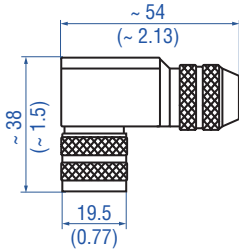
Cable outlet

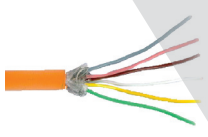
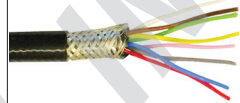

Cable	Voltage	Current
GY	0...10 VDC	4(0)...20 mA or 20... 4(0) mA
PK	DC Ground	DC Ground
YE	10...0 VDC	n.c. ⁴
GN	DC Ground	DC Ground
BN	+24 VDC (-15 / +20 %)	+24 VDC (-15 / +20 %)
WH	DC Ground (0 V)	DC Ground (0 V)

⁴/ Connection necessary for programming with hand or cabinet programmer

FREQUENTLY ORDERED ACCESSORIES – Additional options available in our [Accessories Guide](#) 551444

Position magnets		Optional installation hardware	
			
Standard ring magnet Part no. 201 542-2	Ring magnet OD25,4 Part no. 400 533	O-ring Part no. 560 853	Back-up ring Part no. 561 115
Material: PA ferrite GF20 Weight: Ca. 14 g Operating temperature: -40...+105 °C (-40...+221 °F) Surface pressure: Max. 40 N/mm ² Fastening torque for M4 screws: Max. 1 Nm	Material: PA ferrite Weight: Ca. 10 g Operating temperature: -40...+105 °C (-40...+221 °F) Surface pressure: Max. 40 N/mm ²	Material: Fluoroelastomer 75 ± 5 durometer	Material: PTFE + 60 % bronze

Cable connectors ⁵			
			
Female, straight, 5 pin M12 Part no. 370 677	Female, angled, 5 pin M12 Part no. 370 678	Female, straight, 6 pin M16 Part no. 370 423	Female, angled, 6 pin M16 Part no. 370 460
Housing: GD-Zn, Ni / IP67 Termination: Screw; max. 0.75 mm ² Contact insert: CuZn Cable Ø: 4...8 mm (0.16...0.31 in.)	Housing: GD-Zn, Ni / IP67 Termination: Screw; max. 0.75 mm ² Contact insert: CuZn Cable Ø: 5...8 mm (0.2...0.31 in.)	Housing: Zinc nickel plated Termination: Solder Contact insert: Silver plated Cable clamp: PG9 Cable Ø: 6...8 mm (0.24...0.32 in.)	Housing: Zinc nickel plated Termination: Solder Contact insert: Silver plated Cable Ø: 6...8 mm (0.24...0.32 in.)

Cable			Programming tools
			Analog hand programmer Part no. 253 124
Cable Part no. 530 052	Cable Part no. 530 112	Cable Part no. 530 113	Analog cabinet programmer Part no. 253 408
Dimensions: 3 × 2 × 0.25 mm ² Cable Ø: 6.4 mm (0.25 in.) Material: PUR jacket; orange Operating temperature: -30...+80 °C (-22...+176 °F) Twisted pair shielded	Dimensions: 4 × 2 × 0.25 mm ² Cable Ø: 7.6 mm (0.3 in.) Material: Teflon® jacket; black Operating temperature: -100...+180 °C (-148...+356 °F) Twisted pair shielded	Dimensions: 3 × 2 × 0.25 mm ² Cable Ø: 7.2 mm (0.28 in.) Material: Silicone coating; red Operating temperature: -50...+180 °C (-58...+356 °F) Twisted pair shielded	Programming kit Part no. 254 555

Controlling design dimensions are in millimeters and measurements in () are in inches
5/ Max. fastening torque: 0.6 Nm

ORDER CODE

1	2	3	4	5	6	7	8	9	10	11	12	13	14	15	16
G	B										1				
a	b	c						d	e	f		g	h		

a	Sensor model
G B	Rod

b	Design
N	Model GB rod-style sensor with housing 1.4404 (AISI 316L), rod-style material 1.4404 (AISI 316L) ⁶ Rod with fitting flange Ø 18 mm, Ø 10 mm rod
S	Model GB rod-style sensor with housing 1.4305 (AISI 303), rod-style material 1.4306; 1.4307 (AISI 304L) Rod with fitting flange Ø 18 mm, Ø 10 mm rod

c	Stroke length
X X X X M	0025...3250 mm
X X X X U	001.0...128.0 in.

Standard stroke length (mm) *

Stroke length	Ordering steps
25... 500 mm	5 mm
500... 750 mm	10 mm
750...1000 mm	25 mm
1000...2500 mm	50 mm
2500...3250 mm	100 mm

Standard stroke length (in.) *

Stroke length	Ordering steps
1... 20 in.	0.2 in.
20... 30 in.	0.5 in.
30... 40 in.	1.0 in.
40...100 in.	2.0 in.
100...128 in.	4.0 in.

d	Connector type
D 3 4	5 pin M12 connector
D 6 0	6 pin M16 connector
H X X	PUR cable (suitable for max. operating temperature of +80 °C (+176 °F)) H01...H10 (1...10 m / 3...33 ft) ⁷
T X X	Teflon® cable T01...T10 (1...10 m / 3...33 ft) ⁷
V X X	Silicone cable V01...V10 (1...10 m / 3...33 ft) ⁷

e	Operating voltage
1	+24 VDC (-15 / +20 %)

f	Output
V 0	0...10 VDC and 10...0 VDC
A 0	4...20 mA
A 1	20...4 mA
A 2	0...20 mA
A 3	20...0 mA

g	Operating temperature
H	-40...+100 °C (-40...+212 °F)
S	-40...+90 °C (-40...+194 °F)

h	Programming
C	Via cable
W	Via Bluetooth® wireless technology

DELIVERY



Sensor

Accessories have to be ordered separately.

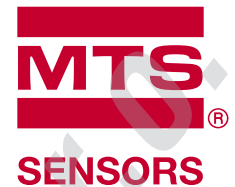
Operation manuals & software are available at:

www.mtssensors.com

6/ The sensor in stainless steel 1.4404 (AISI 316L) is only available with following options:
S (-40...+90 °C / -40...+194 °F) and C (programming via cable)

*/ Non standard stroke lengths are available; must be encoded in 5 mm / 0.1 in. increments

7/ Encode in meters if using metric stroke length.
Encode in feet if using US customary stroke length.



Document Part Number:
551460 Revision B (EN) 02/2016

LOCATIONS

USA
MTS Systems Corporation
Sensors Division
3001 Sheldon Drive
Cary, N.C. 27513, USA
Tel. +1 919 677-0100
Fax +1 919 677-0200
info.us@mtssensors.com
www.mtssensors.com

JAPAN
MTS Sensors Technology Corp.
737 Aihara-machi,
Machida-shi,
Tokyo 194-0211, Japan
Tel. +81 42 775-3838
Fax +81 42 775-5512
info.jp@mtssensors.com
www.mtssensors.com

FRANCE
MTS Systems SAS
Zone EUROPARC Bâtiment EXA 16
16/18, rue Eugène Dupuis
94046 Creteil, France
Tel. +33 1 58 4390-28
Fax +33 1 58 4390-03
info.fr@mtssensors.com
www.mtssensors.com

GERMANY
MTS Sensor Technologie
GmbH & Co. KG
Auf dem Schüffel 9
58513 Lüdenscheid, Germany
Tel. +49 2351 9587-0
Fax +49 2351 56491
info.de@mtssensors.com
www.mtssensors.com

CHINA
MTS Sensors
Room 504, Huajing Commercial Center,
No. 188, North Qinzhou Road
200233 Shanghai, China
Tel. +86 21 6485 5800
Fax +86 21 6495 6329
info.cn@mtssensors.com
www.mtssensors.com

ITALY
MTS Systems Srl.
Sensor Division
Via Camillo Golgi, 5/7
25064 Gussago (BS), Italy
Tel. +39 030 988 3819
Fax +39 030 982 3359
info.it@mtssensors.com
www.mtssensors.com

LEGAL NOTICES

MTS, Temposonics and Level Plus are registered trademarks of MTS Systems Corporation in the United States; MTS SENSORS and the MTS SENSORS logo are trademarks of MTS Systems Corporation within the United States. These trademarks may be protected in other countries. All other trademarks are the property of their respective owners. Copyright © 2015 MTS Systems Corporation. No license of any intellectual property rights is granted. MTS reserves the right to change the information within this document, change product designs, or withdraw products from availability for purchase without notice. Typographic and graphics errors or omissions are unintentional and subject to correction. Visit www.mtssensors.com for the latest product information.

ISO 9001
CERTIFIED



Reg.-No. 003095-0M08

